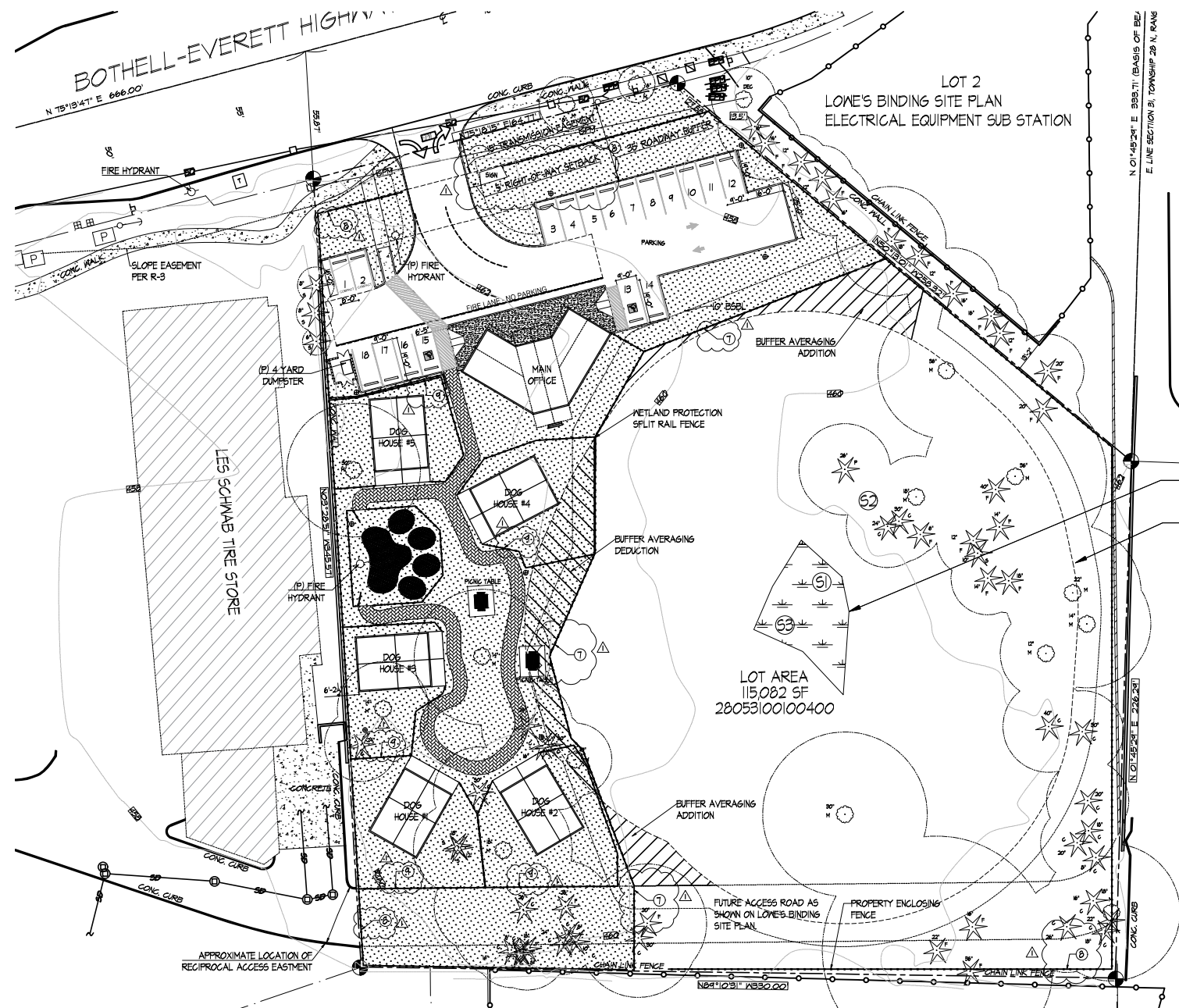


Attachment 1- Site Plan (Sheets A-1.0 to A-1.2)



LOWE'S

LOT 2
LOWE'S BINDING SITE PLAN
ELECTRICAL EQUIPMENT SUB STATION

LOT AREA
115,082 SF
28053100100400

SITE PLAN
SCALE: 1"=20'



STELLA & FLOYDS
MUTTLEY
SQUARE
13209 BOTHELL-EVERETT HYM.
MILL CREEK, WA 98012

Capital Group P.C.

2819 ROCKEFELLER AVE
EVERETT, WA 98201
PHONE: 425.317.8017
FAX: 425.317.8484



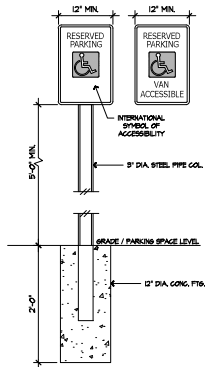
SCALE: AS NOTED
ISSUE DATE: 3/29/19
DRAWN: SC/SM
CHECKED: SA

©THIS PLAN AND DESIGN IS AND REMAINS THE PROPERTY OF THE ARCHITECTS AND MAY NOT BE USED WITHOUT PRIOR CONSENT FROM THE ARCHITECT

PERMIT		
REV.	DATE	DESCRIPTION
△	4/04/19	DRB REVISIONS

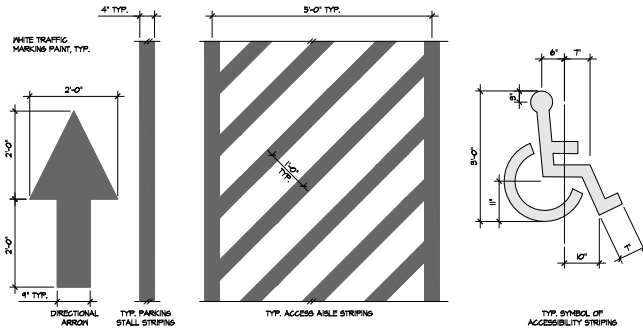
SITE PLAN

A-1.0

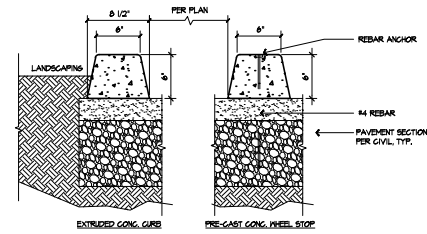


NOTE: SEE SITE PLAN FOR LOCATIONS

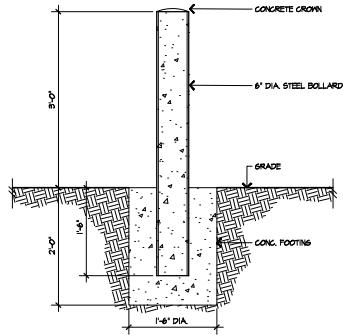
1 SIGN AT ACCESSIBLE PARKING SPACE
SCALE: 1"=1'-0"



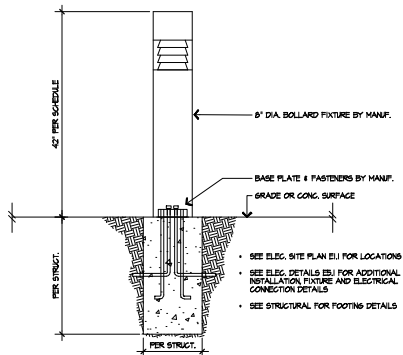
2 TYPICAL STRIPING AT ON SITE PARKING / DRIVE
SCALE: 3/4"=1'-0"



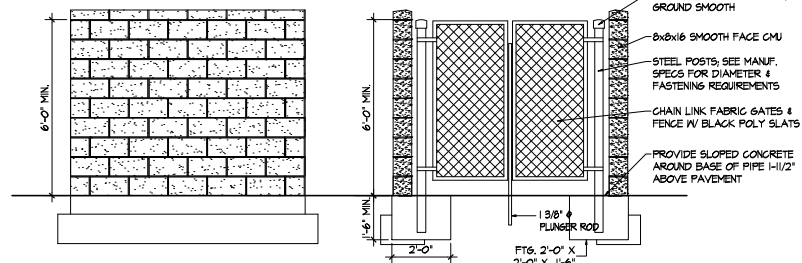
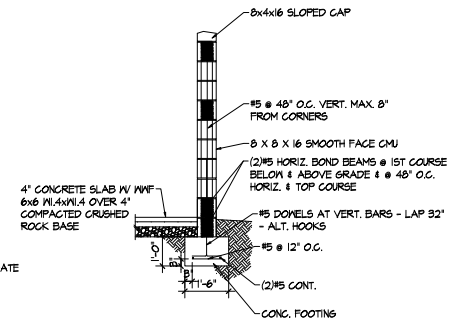
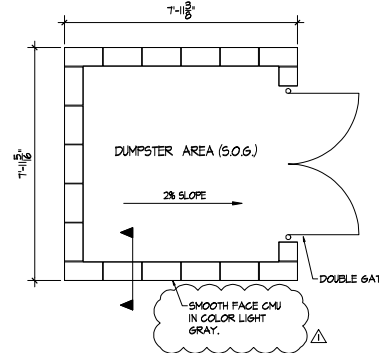
3 EXTRUDED CURB / TYP. WHEEL STOP
SCALE: 1-1/2"=1'-0"



4 CONG.-FILLED STEEL BOLLARD DETAIL
SCALE: 1"=1'-0"



5 ARCHITECTURAL ILLUMINATION BOLLARD
SCALE: 1"=1'-0"



6 DUMPSTER
SCALE: 1/2"=1'-0"

STELLA & FLOYDS
MUTTLEY
SQUARE
13209 BOTHELL-EVERETT HYW.
MILL CREEK, WA 98012



2819 ROCKEFELLER AVE
EVERETT, WA 98201
PHONE: 425.317.8017
FAX: 425.317.4849



SCALE: AS NOTED
ISSUE DATE: 3/29/19
DRAWN: SC/SM
CHECKED: SA

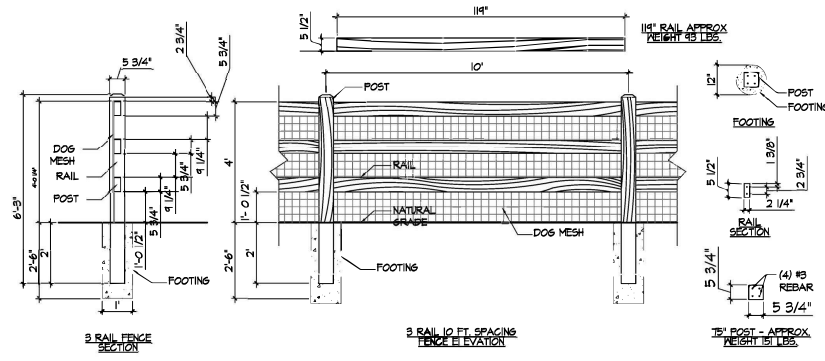
THIS PLAN AND DESIGN IS AND REMAINS THE PROPERTY OF THE ARCHITECTS AND MAY NOT BE USED WITHOUT PRIOR CONSENT FROM THE ARCHITECT

PERMIT

REV.	DATE	DESCRIPTION
1	4/04/19	DRB REVISIONS

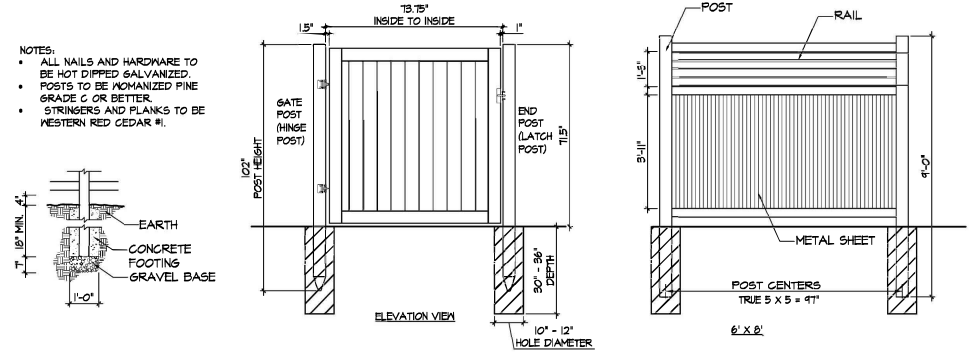
SITE DETAILS

A-1.1

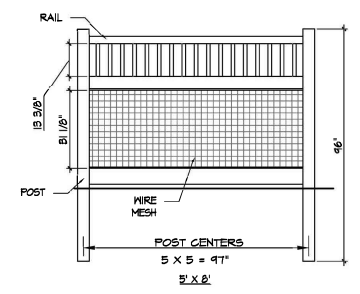


LOCATIONS AND TYPES OF FENCES ARE MARKED ON SHEET A-1.0 INDICATED BY THE DETAIL NUMBERS 7-9.

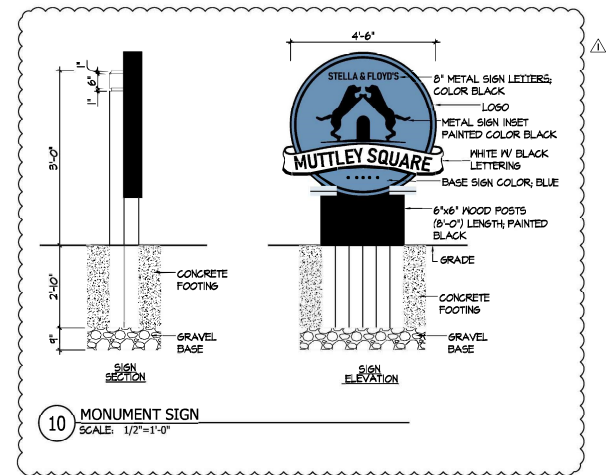
7 SPLIT RAIL FENCE



8 PERIMETER FENCE & GATE
SCALE: 1/2"=1'-0"



9 DOG HOUSE FENCE
SCALE: 1/2"=1'-0"



10 MONUMENT SIGN
SCALE: 1/2"=1'-0"

PERMIT

REV.	DATE	DESCRIPTION
1	4/09/19	DRB REVISIONS